

Diffractive Optics

- Lenses

- Fresnel Optics

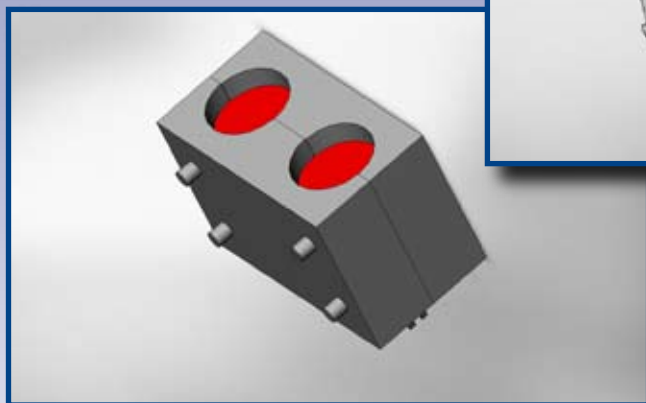
- Reflectors

- Optical Sheeting

- Special Parts



*Precision & Miniaturization with*  
***Optical Components***



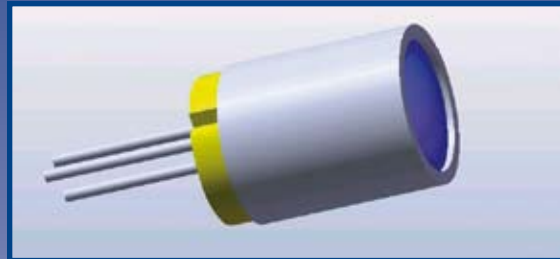
***Complete optical solutions  
from one source***

IMOS Gubela GmbH \* DE-77871 Renchen \* Kniebisstr. 1  
Phone: +49 7843 99 511 - 0 \* Fax: +49 7843 99 511 - 55  
info@imos-gubela.de \* www.imos-gubela.de

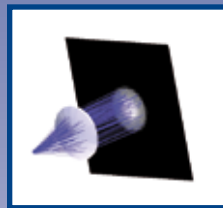
## Complete Optical Components Increase Precision



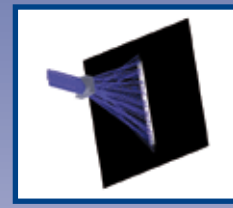
Optical light barrier module and reflector



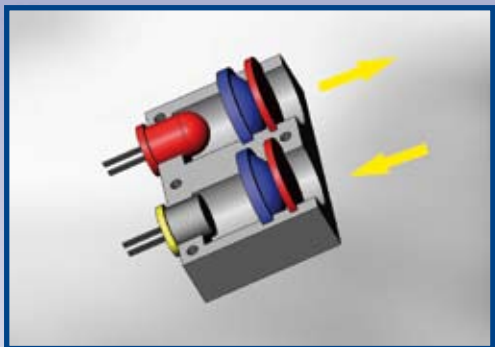
Microprojector



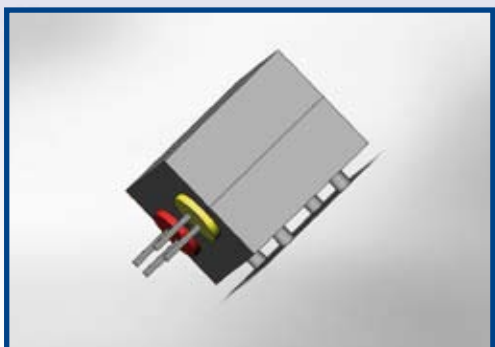
Collimator lens



Lens for producing a straight line



Optical transmitter and receiver components



Complete optical module

IMOS designs and manufactures complete optical components in its own production plants. Complex microoptics are assembled into high-precision, stable components.

Optical design, lens manufacture and microassembly from one source allows the smallest manufacturing tolerances possible. Optical performance is significantly increased. Costs are reduced. The entire optical system can be very compactly built and miniaturized.

Use of the latest measuring technology ensures that the customer receives reliable optical systems with short delivery times and minimized risk.